

# ET8500



## WHEEL TRENCHER

Digging Depth: 36" (914mm) - 96" (2438mm)

Digging Width: 30" (762mm) - 48" (1219mm)\*



**G&Z** produces the highest production, lowest operating cost Wheel Trenchers available on the market today. Combining years of field and manufacturing experience, and utilization of the latest technology, makes Eagle Trenchers the most cost effective way to increase productivity and profitability.

The Eagle 8500 is an excellent choice for high production trenching in the utility market. Powered by a 385 HP (287 kW) diesel engine, the Eagle 8500 Wheel Trencher is rugged enough for the toughest jobs. All machine functions are electric over hydraulic and all controls are well marked and positioned for ease of operation, safety, and optimum operator visibility.

\* optional digging width - 60" (1524m) with a special wide digging wheel

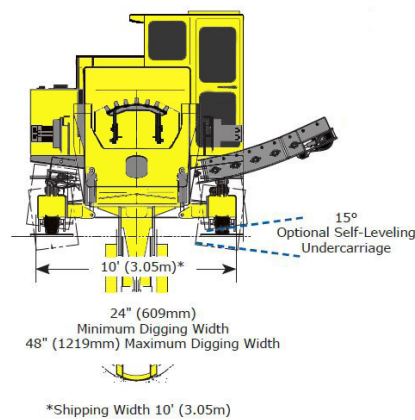
IF YOUR BUSINESS  
IS UNDERGROUND,  
CHECK OUT OUR FULL  
LINE OF G&Z EAGLE  
TRENCHERS AT  
[WWW.GUNTERT.COM](http://WWW.GUNTERT.COM)

# ET8500 WHEEL TRENCHER

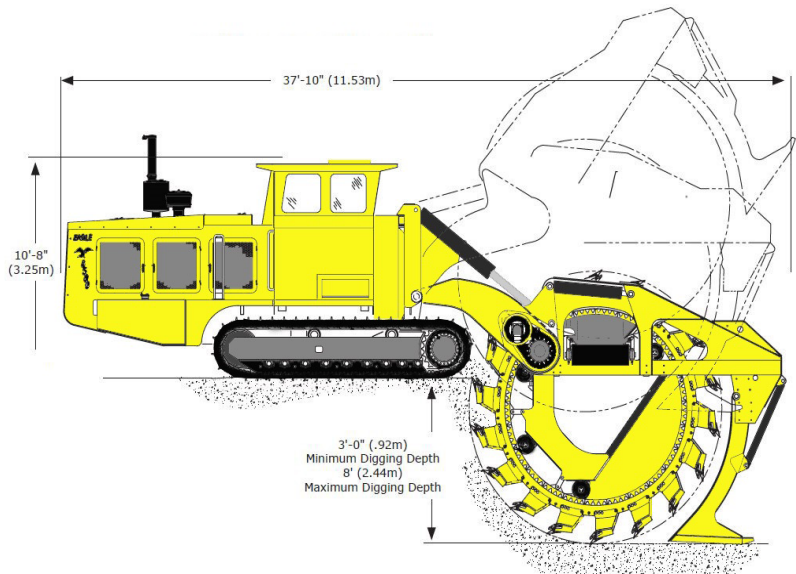
## STANDARD FEATURES

- **Engine:** 6 cylinder CAT C13, water-cooled, Diesel Engine, US EPA Tier 3 / EU Stage IIIA compliant, 385HP (287kW) at 2100 rpm, Intermittent "C" Rating
- **Digging Depth:** 36" (914mm) minimum / 96" (2438mm) maximum
- **Digging Width:** Standard 24" (610mm) bucket cutting 30" (762mm) to maximum 48" (12193mm).
- **Teeth:** Hensley X156 Forged Tooth
- **Buckets:** 15 each, 1 1/4" (32mm) material, crowned
- **Pump Drive:** Hydrostatic pumps driven by multiple outlet Funk pump drive box, mounted off engine bell housing.
- **Wheel Rims:** 1 1/4" (32mm) rims, Mild Steel with Weld-on, Cast Steel Segments, standard bucket backs.
- **Drive Sprockets:** Heavy-duty cast steel, bolt on split sprockets.
- **Undercarriage:** Hydrostatically driven G&Z D-5 size, 24" (610mm) triple grousers x 10'-9" (3276 mm) long c to c, Sealed Chain with Split Master Link, Rock Guards.
- **Conveyor:** 36" (914mm) wide x 12'-5" (3780mm) long c to c with belt skirting rated @ 1000fpm (305m/min).
- **Weight:** Approx. 75,000 - 80,000 lbs (33,937 - 36,199 kg)
- **Lighting:** DC Night Lighting System which includes 4ea. LED Lamps
- Operator Cab with Heating, Air Conditioning and Operator Seat
- Fixed Breakaway Crumbshoe
- One piece head shaft hydraulically driven through dual gear reduction box
- Anti - Vandalism Locks and Guards

Eagle 8500 Rear View



Eagle 8500 Side View



## OPTIONAL FEATURES

- 1 1/2" (39mm) Rims and Buckets
- Self Level Control / Self Levelling Undercarriage
- Carbide Teeth
- Single grouser pads in lieu of triple grouser pads
- Add'l Buckets & Backs for trench widths up to max. 40" (1,02m)
- Enclosed stay rod and lower digging wheel
- Automatic Steering and Grade Control System
- Laser Guidance / Grade Control
- US EPA Tier 4f / EU Stage IV compliant Diesel Engine
- Special wide digging wheel for trench depth up to 60" (1524 mm)
- EGON Telematics Remote Diagnostics and Troubleshooting
- Cold Weather Package